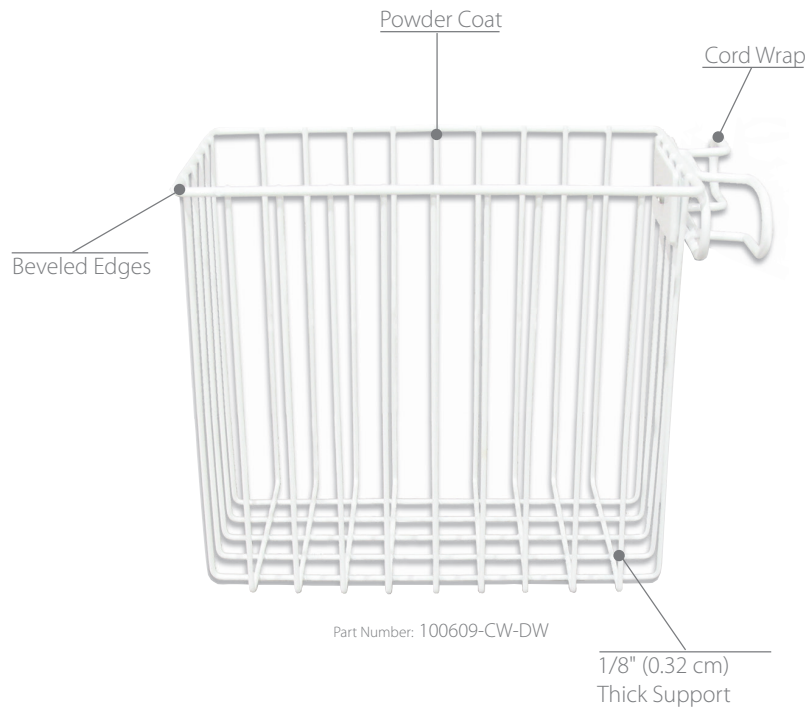


Storage Solutions

Storage Baskets

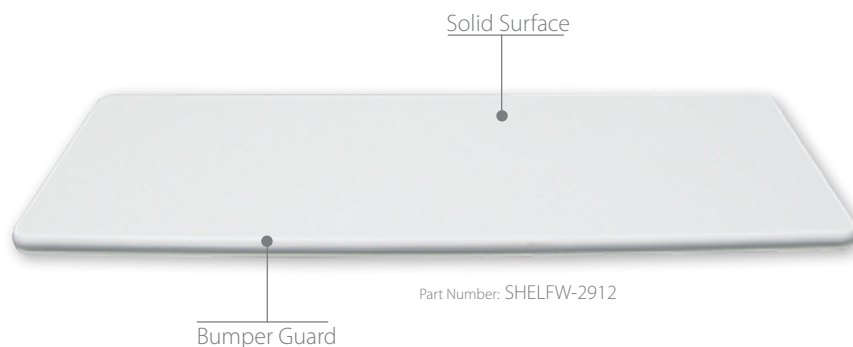


Features:

- Easy to install
- Beveled safety edges
- Variety of mounting options
- Powder coated surface treatment
- Sizes range from 5" (12.7 cm) to 28" (71.12 cm) in length
- 1/8" (0.32 cm) steel wire construction

When considering Storage Solutions for healthcare facilities, Amico Accessories baskets and shelves are ideal. With the appropriate adapter, Storage Solutions can be used in any facility area to provide an esthetically pleasing equipment management solution.

Storage Shelves



Features:

- Folding and swivel capabilities
- Integrated bumper guard
- Variety of mounting options
- Holds weights up to 25 lbs (11 kg)
- Sizes range from 12" (30.48 cm) – 29" in (73.66 cm) length
- 12" (30.48 cm) depth

NOTE: All dimensions are not exact.

Bottom Mounted

Designed to sit below the center on any horizontal rail system, centered on a vertical rail system or mounted directly to any wall. Back Plates are used for baskets with lengths over 13" (30 cm) for added support.

Top Mounted

The addition of two chrome plated steel supporting posts allows the baskets to be used above horizontal rail systems to accommodate various space restrictions.

Swivel Mounted

The addition of a swivel adapter allows baskets to pivot from one corner. Baskets hook around the top of the swivel adapter and can easily be removed for transferring or sterilizing.

Swivel Storage Basket

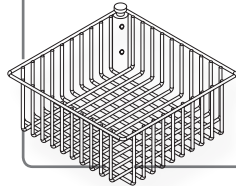
Mounting Options

- A** Amico Horizontal Rail Mount
(Compatible with Amico and Modular)
- V** *Amico Vertical Rail Mount
(Compatible with Amico and Modular)
- F** Fairfield Rail Mount (push button optional)
- E** DIN 25mm (1") Rail Mount
(30mm (1.2"), 35mm (1.4") optional)
- C** 1 1/4" (3.2 cm) Pole Mount
- M** Monitor Rail Mount
- D** Dovetail Rail Mount
(Compatible with Ohmeda Rail)
- G** Hill-Rom Vertical Rail Mount
- S** HSI Mount-Vertical Rail Mount
- W** Direct Wall Mount

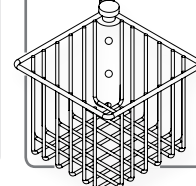
Amico Accessories includes all the adapters required for the above rail systems

** Swivel baskets not compatible with Modular*

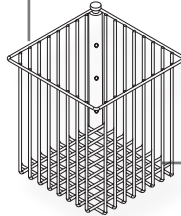
10" x 10" x 4"
(25.4 cm x 25.4 cm x 10.16 cm) **V** 101004-V-BS



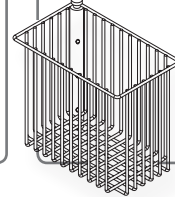
5" x 5" x 4"
(12.7 cm x 12.7 cm x 10.16 cm) **V** 050504-V-BS



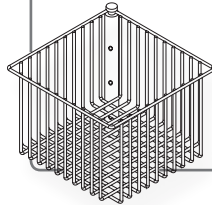
9" x 9" x 10"
(22.86 cm x 22.86 cm x 25.4 cm) **V** 090910-V-BS



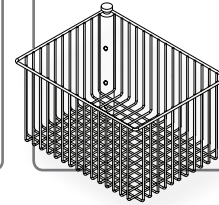
10" x 6" x 9"
(25.4 cm x 15.24 cm x 22.86 cm) **V** 100609-V-BS



10" x 10" x 7"
(25.4 cm x 25.4 cm x 17.78 cm) **V** 101007-V-BS

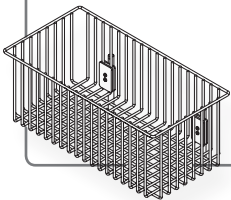


13" x 9" x 7"
(33.02 cm x 22.86 cm x 17.78 cm) **V** 130907-V-BS



Top Mounted

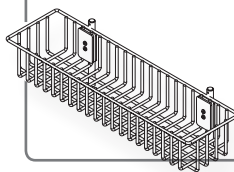
18" x 9" x 7"
(45.72 cm x 22.86 cm x 17.78 cm) **A** 180907-A-BT



- F** 180907-F-BT
- E** 180907-E25-BT

*11" between centers of two mounting plates

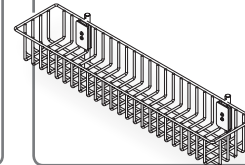
19" x 5" x 3"
(48.26 cm x 12.7 cm x 7.62 cm) **A** 190503-A-BT



- F** 190503-F-BT
- E** 190503-E25-BT

*14" between centers of two mounting plates

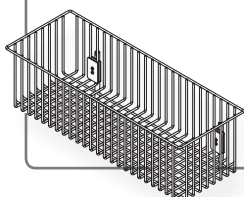
24" x 5" x 3"
(60.96 cm x 12.7 cm x 7.62 cm) **A** 240503-A-BT



- F** 240503-F-BT
- E** 240503-E25-BT

*19" between centers of two mounting plates

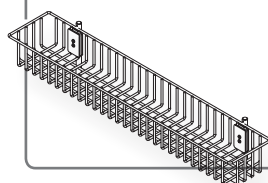
24" x 9" x 7"
(60.96 cm x 22.86 cm x 17.78 cm) **A** 240907-A-BT



- F** 240907-F-BT
- E** 240907-E25-BT

*19" (48.3 cm) between centers of two mounting plates

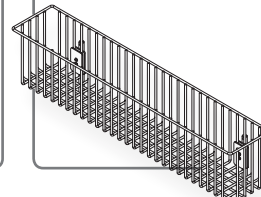
28" x 5" x 3"
(71.12 cm x 12.7 cm x 7.62 cm) **A** 280503-A-BT



- F** 280503-F-BT
- E** 280503-E25-BT

*23" (58.2 cm) between centers of two mounting plates

28" x 5" x 6"
(71.2 cm x 12.7 cm x 15.24 cm) **A** 280506-A-BT



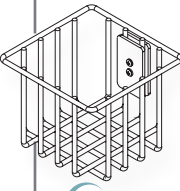
- F** 280506-F-BT
- E** 280506-E25-BT

*23" (58.2 cm) between centers of two mounting plates

NOTE: All dimensions are not exact.

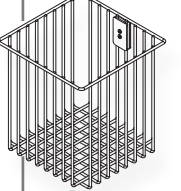
Bottom Mounted

5" x 5" x 4"
(12.7 cm x 12.7 cm x 10.16 cm)



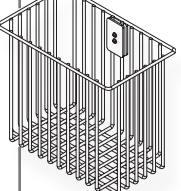
A	050504-A-BB
V	050504-V-BB
F	050504-F-BB
E	050504-E25-BB
C	050504-R125-BB
G	050504-G-BB
M	050504-MON-BB
S	050504-S-BB
W	050504-DW

9" x 9" x 10"
(22.86 cm x 22.86 cm x 25.4 cm)



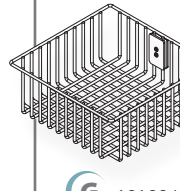
A	090910-A-BB
V	090910-V-BB
F	090910-F-BB
E	090910-E25-BB
C	090910-R125-BB
G	090910-G-BB
M	090910-MON-BB
S	090910-S-BB
W	090910-DW

10" x 6" x 9"
(25.4 cm x 15.24 cm x 22.86 cm)



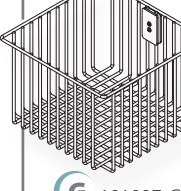
A	100609-A-BB
V	100609-V-BB
F	100609-F-BB
E	100609-E25-BB
C	100609-R125-BB
G	100609-G-BB
M	100609-MON-BB
S	100609-S-BB
W	100609-DW

10" x 10" x 4"
(25.4 cm x 25.4 cm x 10.16 cm)



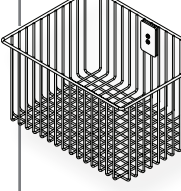
A	101004-A-BB
V	101004-V-BB
F	101004-F-BB
E	101004-E25-BB
C	101004-R125-BB
G	101004-G-BB
M	101004-MON-BB
S	101004-S-BB
W	101004-DW

10" x 10" x 7"
(25.4 cm x 25.4 cm x 17.78 cm)



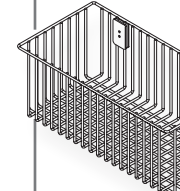
A	101007-A-BB
V	101007-V-BB
F	101007-F-BB
E	101007-E25-BB
C	101007-R125-BB
G	101007-G-BB
M	101007-MON-BB
S	101007-S-BB
W	101007-DW

13" x 9" x 7"
(33.02 cm x 22.86 cm x 17.78 cm)



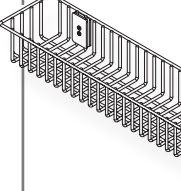
A	130907-A-BB
F	130907-F-BB
E	130907-E25-BB
C	130907-R125-BB
M	130907-MON-BB
W	130907-DW

18" x 9" x 7"
(45.72 cm x 22.86 cm x 17.78 cm)



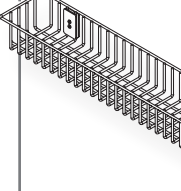
A	180907-A-BB
F	180907-F-BB
E	180907-E25-BB
W	180907-DW

19" x 5" x 3"
(48.26 cm x 12.7 cm x 7.62 cm)



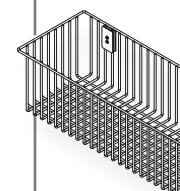
A	190503-A-BB
V	190503-V178-BB*
	190503-V188-BB**
	190503-V138-BB***
F	190503-F-BB
E	190503-E25-BB
W	190503-DW

24" x 5" x 3"
(60.96 cm x 12.7 cm x 7.62 cm)



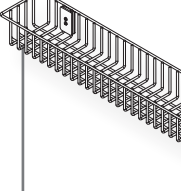
A	240503-A-BB
V	240503-V223-BB* ¹
F	240503-F-BB
E	240503-E25-BB
W	240503-DW

24" x 9" x 7"
(60.96 cm x 22.86 cm x 17.78 cm)



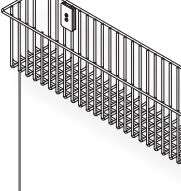
A	240907-A-BB
V	240907-V223-BB* ¹
F	240907-F-BB
E	240907-E25-BB
W	240907-DW

28" x 5" x 3"
(71.12 cm x 12.7 cm x 7.62 cm)



A	280503-A-BB
V	24907-V223-BB* ¹
F	280503-F-BB
E	280503-E25-BB
W	280503-DW

28" x 5" x 6"
(71.12 cm x 12.7 cm x 15.24 cm)



A	280506-A-BB
V	280506-V223-BB* ¹
F	280506-F-BB
E	280506-E25-BB
W	280506-DW

*17.8" (45.21 cm) spacing between vertical adapters
 ** 18.8" (45.75 cm) spacing between vertical adapters
 *** 13.8" (35.05 cm) spacing between vertical adapters

*122.3" (56.64 cm) spacing between vertical adapters

Storage Shelves

Articulating Swivel Shelf 19" x 11" (48.26 cm x 27.94cm)



- Articulates and pivots from 2 points
- Smooth large work surface
- 15lbs (6.8) weight rating

- A** SHELFE-15-AT
- M** SHELFE-15-MON
- V** SHELFE-15-V

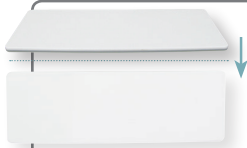
Folding Swivel Writing Shelf 12" x12" (30.4 cm x 30.4 cm)



- Pivot & folding capabilities
- Includes a protective bumper
- Smooth surface for quick cleaning

- A** SHELFS-12FLD-A
- F** SHELFS-12FLD-F
- V** SHELFS-12FLD-V
- E** SHELFS-12FLD-E25

Folding Writing Shelf 29"x12" (73.66 cm x 30.48 cm)



- Includes a protective bumper
- Smooth surface for quick cleaning
- Folds down when not in use

- A** SHELFW-29FLD-A
- F** SHELFW-29FLD-F
- V** SHELFW-29FLD-V*
- E** SHELFW-29FLD-E25

*26 13/16" (68.1 cm) between centers of two adaptors

Folding Writing Shelf 20"x12" (50.8 cm x 30.48 cm)



- Includes a protective bumper
- Smooth surface for quick cleaning
- Folds down when not in use

- A** SHELFW-20FLD-A
- F** SHELFW-20FLD-F
- V** SHELFW-20FLD-V*
- E** SHELFW-20FLD-E25

*17 3/4" (45.1 cm) between centers of two adaptors

Additional Accessories

Cord Wraps

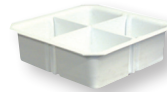


- Ideal for managing wires and cords
- Variety of mounting options

- A** CORDWRAP-A
- F** CORDWRAP-F
- D** CORDWRAP-DW
- V** CORDWRAP-V
- E** CORDWRAP-E25
- G** CORDWRAP-G
- C** CORDWRAP-R125
- M** CORDWRAP-MON
- S** CORDWRAP-S

NOTE: All dimensions are not exact.

Basket Liners & Dividers



10"x10"x4"
(25.4 cm x 25.4 cm x 10.2 cm)
Liner/Divider
Part Number: DIV-1010-LNR



5"x3"
(12.7 cm x 7.6 cm)
Basket Divider
Part Number: DIV-0503



9"x7"
(22.9 cm x 17.8 cm)
Basket Divider
Part Number: DIV-0907

Please visit www.amico.com for all technical specifications, installation instructions, detailed AutoCAD drawings and more Mounting Solutions.



Distributed By:

